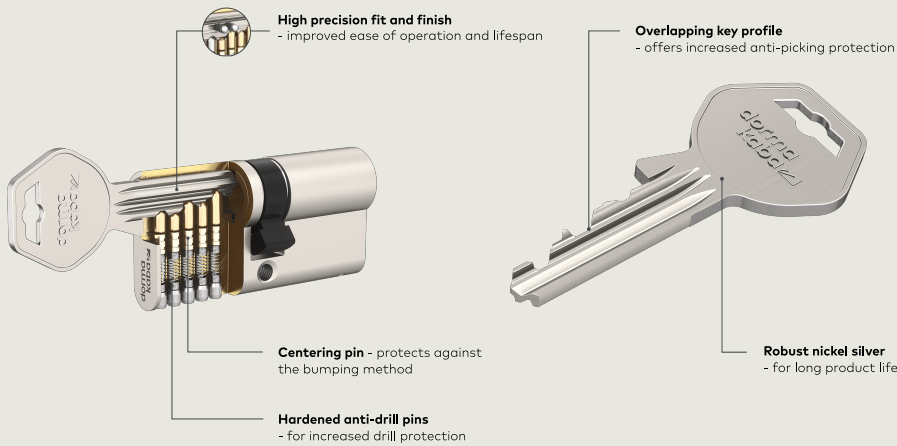


E-SP Series Serrated Master Key System

dormakaba 

NEW



The new standard in master key systems

The tried and tested dormakaba E-SP serrated key system offers a high level of security through overlapping profiles, precision drill holes and specially shaped tumbler pins. It is the ideal system for simple master key systems. It is particularly suitable for securing and organising access in numerous verticals including but not limited to private homes, apartments, commercial and public buildings.

Technical basic data

Number of pins	5 pins as standard
Finish	Nickel (Nickel Silver Key)
Available Configurations	KA, MK, GMK, GGMK, CK, CL
Dimensions	
Double Cylinder (DDC)	60mm, 63mm, 71mm, 80mm, 90mm
Knob Cylinder (DKC)	60mm, 63mm, 71mm, 80mm, 90mm
Single Cylinder (DSC)	39mm, 41mm
Padlock (DPL)	45mm Body with 8mm Shackle

Additional cylinder lengths and configurations available on request.

Planning for a secure future

As infrastructure grows exponentially, so does the need to support this development with adequate security systems. Increased access points result in multiple locks that require efficient security management. This is where dormakaba master key systems come in, by enabling access according to our customers' requirements and using entry restrictions to their advantage.

Keep your keys under control

With a mechanical key system, you control your keys and access rights, providing quick access to all rooms within the premises and saving key replacement costs.



dormakaba serrated key systems

Tailormade Master Key Systems For Your Convenience and Security

Any questions? We would be happy to answer any questions you may have.

dormakaba South Africa | T +27 11 510 1500 | info.za@dormakaba.com | www.dormakaba.com/za-en